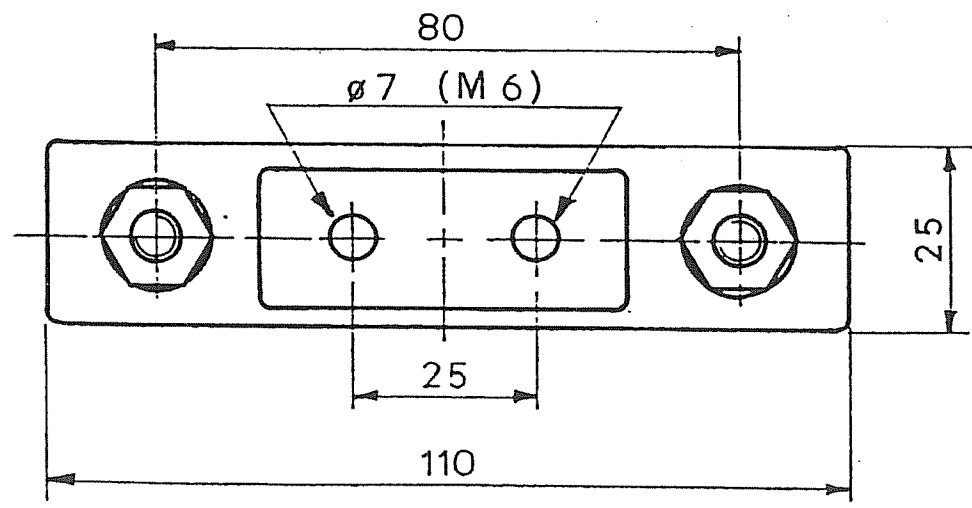
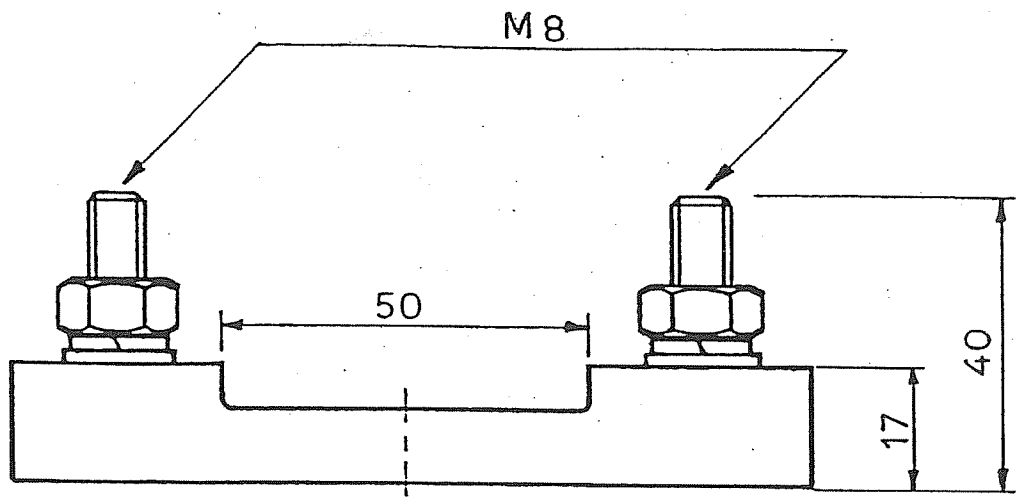


P
 N
 M
 L
 K
 J
 I
 H
 G
 F
 E
 D
 C
 B
 A



Ordering No.170H1013

BUSSMANN DENMARK Literbuen 5, DK-2740 Skovlunde, Int tlf (+45) 42 91 99 00, int fax (+45) 42 91 11 51

Fuse base 660V
 Size: 0000/80 and 000/80
 Dimension sketch

Scale: 1:1
 Drwg: *Arthur*
 Control: *ft*
 Approved: *[Signature]*
 Date: 900307

170X0546

direction
 date
 invg